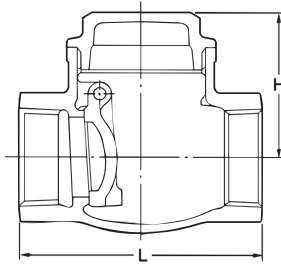


Fig. UO/UOM



Class JIS10K



Pressure-Temperature Rating:
 0.98MPa (10kgf/cm²) : 180°C
 200psi. W.O.G. :350°F S.P.

Materials

Parts	UO	UOM
Body	SCS 13A	SCS 14A
Cap	SCS 13A/SUS 304	SCS 14A/SUS 316
Disc	SCS 13A	SCS 14A
Hinge pin	SUS 304	SUS 316
Plug	SUS 304	SUS 316
Gasket (for plug)	Non Asbestos	Non Asbestos

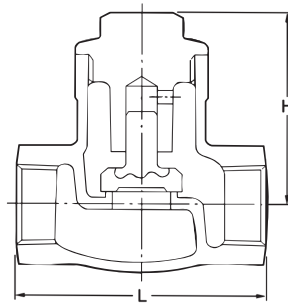
Dimensions

size	inch	1/2	3/4	1	1 1/4	1 1/2	2	2 1/2	3
	mm	15	20	25	32	40	50	65	80
L	mm	65	80	90	105	120	140	180	200
H	mm	45	55	61	71	72	81	93	104

Fig. UN



Class JIS10K



Pressure-Temperature Rating: 0.98MPa (10kgf/cm²) : 180°C

Materials

Parts	Materials
Body	SCS 13A
Cap	SCS 13A/SUS 304
Disc	SUS 304

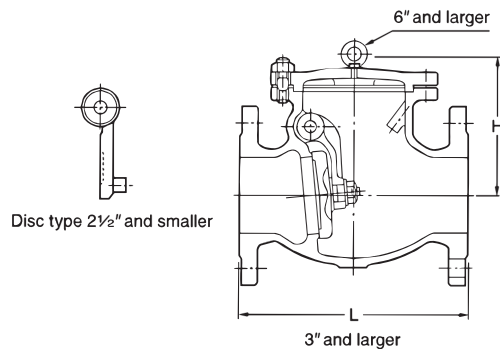
Dimensions

size	inch	3/8	1/2	3/4	1	1 1/4	1 1/2	2
	mm	10	15	20	25	32	40	50
L	mm	55	65	80	90	105	120	140
H	mm	50	53	54	62	66	76	85

Fig. 10UOA



Class JIS10K



Pressure-Temperature Rating: JIS B2238 · ASME B 16.34

Materials

Parts	Materials
Body	SCS 13A
Cover	SCS 13A
Disc	SCS 13A
Disc nut	SUS 304
Gasket	Non Asbestos
Hinge pin	SUS 304
Plug	SUS 304
Arm	SCS 13A
Washer	SUS 316,SUS 316L(3"-6")
Cover bolt/nut	SUS 304/304
Split pin	SUS 316L

Note : Body seats and/or disc seats
 can be optionally hard-face.

Dimensions

size	inch	1 1/2	2	2 1/2	3	4	5	6	8	10	12	14	16	18	20	24
	mm	40	50	65	80	100	125	150	200	250	300	350	400	450	500	600
L	in.	6.50	8.00	8.50	9.50	11.50	13.00	14.00	19.50	24.50	27.50	31.00	34.00	38.50	38.50	51.00
	mm	165	203	216	241	292	330	356	495	622	698	787	864	978	978	1295
H	in.	4.2	4.7	5.3	5.8	6.7	7.5	8.4	9.96	11.0	12.3	14.3	16.1	18.7	19.9	23.4
	mm	107	120	135	147	169	190	213	253	279	312	364	410	475	505	595